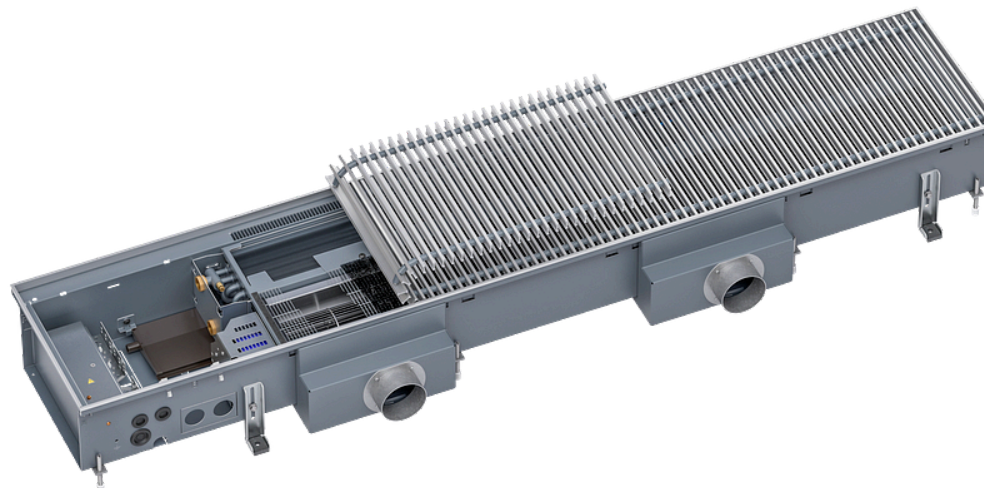


## Environmental Product Declaration - (EPD) Katherm HK P



The EPD data presented here is based on a verified EPD from the program holder EPD International AB. The data contained therein has been converted to the above-mentioned article number. (Verified EPD: EPD-IES-0007771)

### Table of Contents

Basic data .....	2
Resource use .....	3
Waste & Output Flows .....	3
Restriction Notice .....	4
List of terms .....	5

## Basic data

impact category	unit	A1	A2	A3	A1-A3	A4	A5	B2	B3	B4	B6	C1	C2	C3	C4	D
GWP - Total	kg CO2 eq	2.04E+02	4.57E+00	2.01E+00	2.11E+02	6.73E+00	8.15E-01	3.93E-01	1.05E-01	1.90E+00	1.33E+01	0.00E+00	2.28E-01	7.68E+00	1.14E-01	-9.23E+01
GWP - fossil	kg CO2 eq	2.04E+02	4.54E+00	7.30E+00	2.16E+02	6.69E+00	8.06E-01	3.68E-01	9.20E-02	1.88E+00	1.16E+01	0.00E+00	2.28E-01	7.68E+00	1.14E-01	-9.14E+01
GWP - Biogenic	kg CO2 eq	-3.89E-01	9.52E-03	-5.30E+00	-5.68E+00	9.52E-03	6.34E-03	1.59E-02	-9.52E-03	1.59E-02	1.61E+00	0.00E+00	5.54E-04	1.46E-03	1.14E-03	-4.44E-02
GWP - Luluc	kg CO2 eq	9.58E-01	3.17E-03	1.27E-02	9.74E-01	1.08E-03	8.06E-04	6.34E-03	2.22E-02	9.52E-03	1.59E-02	0.00E+00	8.57E-05	1.93E-04	1.15E-04	-6.63E-01
ODP	kg CFC-11 eq	9.40E-06	1.13E-06	3.81E-07	1.09E-05	1.56E-06	3.46E-08	3.14E-08	8.72E-09	1.13E-07	7.90E-07	0.00E+00	5.71E-08	6.60E-08	3.46E-08	-6.15E-06
AP	mol H+ eq	2.26E+00	1.59E-02	1.59E-02	2.30E+00	3.49E-02	3.17E-03	1.51E-03	7.01E-04	7.61E-02	3.49E-02	0.00E+00	7.30E-04	1.58E-03	9.55E-04	-1.34E+00
EP - fresh water	kg P eq	1.85E-01	2.95E-04	9.52E-03	1.95E-01	2.03E-04	2.43E-04	7.58E-05	3.17E-05	6.34E-03	3.17E-03	0.00E+00	1.48E-05	5.55E-05	3.30E-05	-1.11E-01
EP - marine	kg P eq	2.37E-01	3.17E-03	6.34E-03	2.47E-01	1.27E-02	9.11E-04	3.97E-04	1.55E-04	3.17E-03	9.52E-03	0.00E+00	1.63E-04	6.12E-04	3.30E-04	-1.14E-01
EP - country	mol N eq	2.67E+00	3.81E-02	4.12E-02	2.75E+00	1.24E-01	6.34E-03	3.17E-03	1.03E-03	5.71E-02	9.52E-02	0.00E+00	3.17E-03	6.34E-03	3.17E-03	-1.33E+00
POCP	kg NMVOC	7.99E-01	9.52E-03	9.52E-03	8.18E-01	3.17E-02	3.17E-03	7.87E-04	3.24E-04	1.59E-02	2.22E-02	0.00E+00	4.54E-04	1.45E-03	8.82E-04	-3.84E-01
ADPE	kg Sb eq	3.35E-02	1.08E-05	1.32E-05	3.35E-02	6.41E-06	4.95E-06	2.40E-06	1.54E-06	3.17E-03	3.30E-05	0.00E+00	5.46E-07	1.57E-06	3.71E-07	-2.54E-02
ADPF	MJ	2.50E+03	7.39E+01	1.05E+02	2.67E+03	9.83E+01	1.73E+01	8.79E+00	1.21E+00	2.53E+01	3.10E+02	0.00E+00	3.71E+00	1.80E+00	2.66E+00	-1.13E+03
WDP	m³ depriv.	6.23E+01	2.47E-01	3.01E-01	6.28E+01	1.62E-01	1.04E+00	1.14E-01	5.39E-02	1.65E+00	4.16E-01	0.00E+00	1.27E-02	1.24E-01	1.14E-01	-1.98E+01
GWP-GHG	kg CO2 eq	2.00E+02	4.50E+00	7.30E+00	2.12E+02	6.66E+00	7.87E-01	3.65E-01	1.11E-01	1.85E+00	1.15E+01	0.00E+00	2.28E-01	7.68E+00	1.11E-01	-8.88E+01
PM	disease inc.	1.63E-05	3.97E-07	1.24E-07	1.68E-05	2.22E-07	5.46E-08	1.02E-08	6.57E-09	2.27E-07	1.65E-07	0.00E+00	2.01E-08	1.11E-08	1.85E-08	-6.95E-06
IR	kBq U-235 eq	2.11E+01	3.74E-01	1.15E+00	2.26E+01	4.60E-01	5.71E-02	2.63E-01	3.17E-03	2.44E-01	1.09E+01	0.00E+00	1.90E-02	1.59E-02	1.27E-02	-9.74E+00
ETP - FW	CTUe	1.38E+04	5.77E+01	5.46E+01	1.39E+04	6.09E+01	1.88E+01	7.23E+00	3.13E+00	6.06E+02	1.45E+02	0.00E+00	2.91E+00	2.86E+01	1.89E+00	-9.79E+03
HTP - C	CTUh	1.29E-06	1.58E-09	1.60E-09	1.30E-06	1.15E-09	8.25E-09	1.61E-10	1.60E-10	2.33E-08	2.93E-09	0.00E+00	7.93E-11	8.98E-10	8.15E-11	-5.20E-07
HTP - NC	CTUh	2.24E-05	6.03E-08	5.11E-08	2.25E-05	8.60E-08	4.09E-08	4.54E-09	3.62E-09	1.01E-06	8.34E-08	0.00E+00	3.05E-09	1.27E-08	1.26E-09	-1.53E-05
SQP	-	1.36E+03	8.72E+01	3.90E+02	1.84E+03	4.76E+01	2.20E+00	4.06E+00	1.85E+00	3.01E+01	1.17E+02	0.00E+00	4.41E+00	6.15E-01	6.60E+00	-5.36E+02

## Resource use

impact category	unit	A1	A2	A3	A1-A3	A4	A5	B2	B3	B4	B6	C1	C2	C3	C4	D
PERE	MJ	5.66E+02	9.39E-01	8.22E+01	6.49E+02	6.63E-01	6.03E-01	1.87E+00	2.92E-01	5.49E+00	5.65E+01	0.00E+00	4.76E-02	1.74E-01	4.44E-02	-2.16E+02
PERM	MJ	0.00E+00	0.00E+00	0.00E+00	0.00E+00	0.00E+00	0.00E+00	0.00E+00	0.00E+00	0.00E+00	0.00E+00	0.00E+00	0.00E+00	0.00E+00	0.00E+00	0.00E+00
PERT	MJ	5.66E+02	9.39E-01	8.22E+01	6.49E+02	6.63E-01	6.03E-01	1.87E+00	2.92E-01	5.49E+00	5.65E+01	0.00E+00	4.76E-02	1.74E-01	4.44E-02	-2.16E+02
PENRE	MJ	2.50E+03	7.39E+01	1.05E+02	2.67E+03	9.83E+01	1.73E+01	8.79E+00	1.24E+00	2.53E+01	3.10E+02	0.00E+00	3.71E+00	1.80E+00	2.66E+00	-1.13E+03
PENRM	MJ	0.00E+00	0.00E+00	0.00E+00	0.00E+00	0.00E+00	0.00E+00	0.00E+00	0.00E+00	0.00E+00	0.00E+00	0.00E+00	0.00E+00	0.00E+00	0.00E+00	0.00E+00
PENRT	MJ	2.50E+03	7.39E+01	1.05E+02	2.67E+03	9.83E+01	1.73E+01	8.79E+00	1.24E+00	2.53E+01	3.10E+02	0.00E+00	3.71E+00	1.80E+00	2.66E+00	-1.13E+03
SM	kg	0.00E+00	0.00E+00	0.00E+00	0.00E+00	0.00E+00	0.00E+00	0.00E+00	0.00E+00	0.00E+00	0.00E+00	0.00E+00	0.00E+00	0.00E+00	0.00E+00	0.00E+00
RSF	MJ	0.00E+00	0.00E+00	0.00E+00	0.00E+00	0.00E+00	0.00E+00	0.00E+00	0.00E+00	0.00E+00	0.00E+00	0.00E+00	0.00E+00	0.00E+00	0.00E+00	0.00E+00
NRSF	MJ	0.00E+00	0.00E+00	0.00E+00	0.00E+00	0.00E+00	0.00E+00	0.00E+00	0.00E+00	0.00E+00	0.00E+00	0.00E+00	0.00E+00	0.00E+00	0.00E+00	0.00E+00
FW	m³	1.25E+00	1.59E-02	3.49E-02	1.30E+00	1.27E-02	1.90E-02	6.34E-03	0.00E+00	5.71E-02	7.61E-02	0.00E+00	7.61E-04	6.34E-03	3.17E-03	-6.25E-01

## Waste & Output Flows

impact category	unit	A1	A2	A3	A1-A3	A4	A5	B2	B3	B4	B6	C1	C2	C3	C4	D
HWD	kg	0.00E+00	0.00E+00	0.00E+00	0.00E+00	0.00E+00	0.00E+00	0.00E+00	0.00E+00	0.00E+00	0.00E+00	0.00E+00	0.00E+00	0.00E+00	0.00E+00	0.00E+00
NHWD	kg	0.00E+00	0.00E+00	1.12E+01	1.12E+01	0.00E+00	0.00E+00	0.00E+00	0.00E+00	0.00E+00	0.00E+00	0.00E+00	0.00E+00	0.00E+00	0.00E+00	0.00E+00
RWD	kg	0.00E+00	0.00E+00	0.00E+00	0.00E+00	0.00E+00	0.00E+00	0.00E+00	0.00E+00	0.00E+00	0.00E+00	0.00E+00	0.00E+00	0.00E+00	0.00E+00	0.00E+00
CRU	kg	0.00E+00	0.00E+00	0.00E+00	0.00E+00	0.00E+00	0.00E+00	0.00E+00	0.00E+00	0.00E+00	0.00E+00	0.00E+00	0.00E+00	0.00E+00	0.00E+00	0.00E+00
MFR	kg	0.00E+00	0.00E+00	0.00E+00	0.00E+00	0.00E+00	0.00E+00	0.00E+00	0.00E+00	0.00E+00	0.00E+00	0.00E+00	0.00E+00	3.39E+01	0.00E+00	0.00E+00
MER	kg	0.00E+00	0.00E+00	0.00E+00	0.00E+00	0.00E+00	0.00E+00	0.00E+00	0.00E+00	0.00E+00	0.00E+00	0.00E+00	0.00E+00	2.68E+00	0.00E+00	0.00E+00
EE (Electrical)	MJ	0.00E+00	0.00E+00	0.00E+00	0.00E+00	0.00E+00	0.00E+00	0.00E+00	0.00E+00	0.00E+00	0.00E+00	0.00E+00	0.00E+00	0.00E+00	0.00E+00	0.00E+00

impact category	unit	A1	A2	A3	A1-A3	A4	A5	B2	B3	B4	B6	C1	C2	C3	C4	D
EE (Thermal)	MJ	0.00E+00	0.00E+00	0.00E+00	0.00E+00	0.00E+00	0.00E+00	0.00E+00	0.00E+00	0.00E+00	0.00E+00	0.00E+00	0.00E+00	0.00E+00	0.00E+00	0.00E+00

## Restriction Notice

Restriction Notice 1	IR	This impact category deals mainly with the eventual impact of low dose ionizing radiation on human health of the nuclear fuel cycle. It does not consider effects due to possible nuclear accidents, occupational exposure nor due to radioactive waste disposal in underground facilities. Potential ionizing radiation from the soil, from radon and from some construction materials is also not measured by this indicator.
Restriction Notice 2	ADPE, ADPF, WDP, ETP - FW, HTP - C, HTP - NC, SQP	The results of this environmental impact indicator shall be used with care as the uncertainties on these results are high or as there is limited experienced with the indicator.
Restriction Notice 3	GWP-GHG	The indicator includes all greenhouse gases included in GWP-total but excludes biogenic carbon dioxide uptake and emissions and biogenic carbon stored in the product. This indicator is thus equal to the GWP indicator originally defined in EN 15804:2012+A1:2013

## List of terms

**GWP - Total** Climate change - total

**GWP - fossil** Climate change - fossil

**GWP - Biogenic** Climate change - biogenic

**GWP - Luluc** Climate change - land use and land use change

**ODP** Ozone Depletion

**AP** Acidification

**EP - fresh water** Eutrophication aquatic freshwater

**EP - marine** Eutrophication aquatic marine

**EP - country** Eutrophication terrestrial

**POCP** Photochemical ozone formation

**ADPE** Depletion of abiotic resources - minerals and metals

**ADPF** Abiotic resource depletion - fossil fuels

**WDP** Water use

**GWP-GHG** Global Warming Potential total excl. biogenic carbon following IPCC AR5 methodology

**PM** Particulate Matter emissions

**IR** Ionizing radiation, human health

**ETP - FW** Ecotoxicity (fresh water)

**HTP - C** Human toxicity, cancer effects

**HTP - NC** Human toxicity, non-cancer effects

**SQP** Land use related impacts/Soil quality

**PERE** Use of renewable primary energy excluding resources used as raw materials

**PERM** Use of renewable primary energy resources used as raw materials

**PERT** Total use of renewable primary energy

**PENRE** Use of non-renewable primary energy excluding resources used as raw materials

**PENRM** Use of non-renewable primary energy resources used as raw materials

**PENRT** Total use of non-renewable primary energy

**SM** Secondary material

**RSF** Renewable secondary fuels

**NRSF** Non-renewable secondary fuels

**FW** Net use of fresh water

**HWD** Hazardous waste disposed

**NHWD** Non-hazardous waste disposed

**RWD** Radioactive waste disposed

**CRU** Components for reuse

**MFR** Material for recycling

**MER** Materials for energy recovery

**EE (Electrical)** Exported energy electrical

**EE (Thermal)** Exported energy thermal

**A1** Raw Material Supply

**A2** Raw Material Transport

**A3** Manufacturing

**A1-A3** A1-A3

**A4** Transport to Site

**A5** Installation

**B2** Maintenance

**B3** Repair

**B4** Replacement

**B6** Operational Energy Use

**C1** Deconstruction / Demolition

**C2** Transport

**C3** Waste Processing

**C4** Disposal

**D** Future reuse, recycling orenergy recovery potentials

# Trench Technology - Katherm HK P

Articlenumber: 143612613148M1

---



## This is how you can reach us

[www.kampmann.us](http://www.kampmann.us) | [info@kampmann.us](mailto:info@kampmann.us) | +1 250 826 0284 | Kampmann Heating, Cooling, Ventilation Ltd.